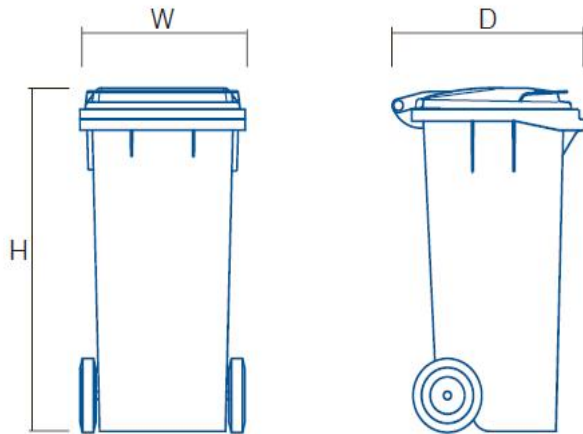


Dimensions of Containers

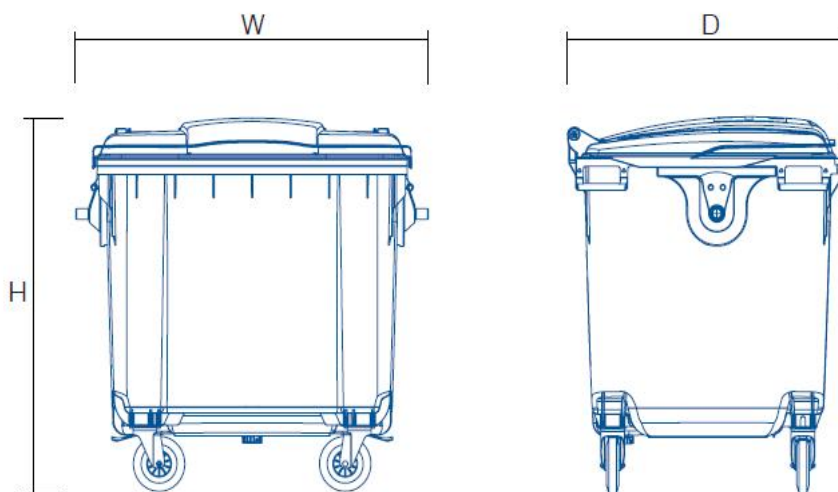


2 Wheeled Bins



| Capacity (litres) | Container type | Height (Metres / Feet) | Width (Metres / Feet) | Depth (Metres / Feet) |
|-------------------|----------------|------------------------|-----------------------|-----------------------|
| 140 | 2 wheeled | 1.07 / 3'6" | 0.48 / 1'7" | 0.56 / 1'10" |
| 240 | 2 wheeled | 1.07 / 3'6" | 0.58 / 1'11" | 0.74 / 2'5" |
| 360 | 2 wheeled | 1.07 / 3'6" | 0.62 / 2' | 0.86 / 2'10" |

4 Wheeled Bins



| Capacity (litres) | Container type | Height (Metres / Feet) | Width (Metres / Feet) | Depth (Metres / Feet) |
|-------------------|----------------|------------------------|-----------------------|-----------------------|
| 660 | 4 wheeled | 1.17 / 3'10" | 1.36 / 4'6" | 0.77 / 2'6" |
| 1100 | 4 wheeled | 1.35 / 4'5" | 1.20 / 3'11" | 1.08 / 3'7" |